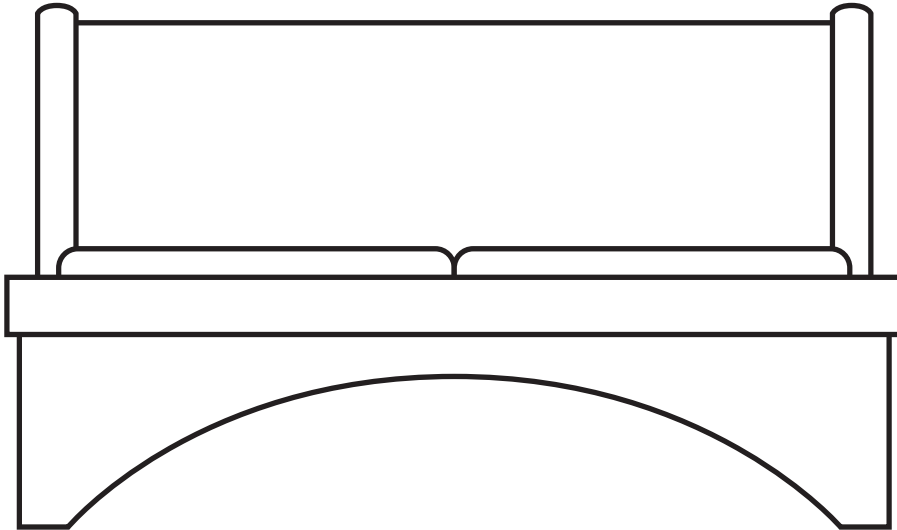
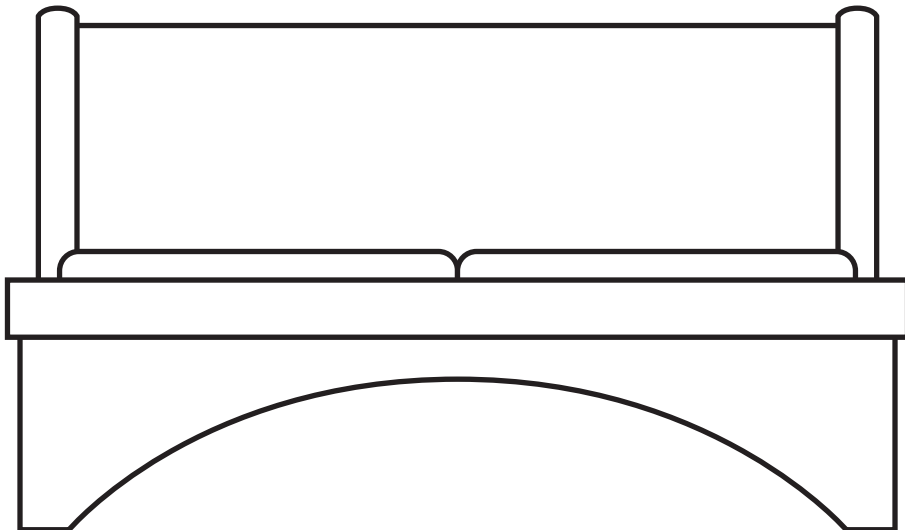


## Your Pew

Who sits next to you at church? On the first pew, draw the people you are sitting with today. On the second pew, draw someone you could invite to sit next to you in worship next week!



PEOPLE I'M SITTING NEXT TO IN CHURCH TODAY



SOMEONE I COULD INVITE TO CHURCH NEXT WEEK



# READER

Pentecost 7

- Today is the **seventh** Sunday after Pentecost.
- Pentecost begins **50 days** after Easter.
- During Pentecost we remember **how to pray**.

## Bird Business

Mama Bird has mixed up her babies. Some of the baby birds in this tree belong to Mama Bird, and some don't. Can you circle the birds that are not like the others?



Draw a line matching these phrases with their correct ending to complete today's memory verse in Luke 11:9.



- Ask and...**                      **you will find.**
- Seek and...**                    **the door will be opened to you.**
- Knock and...**                 **it will be given to you.**

## Making It Your Own

Today's memory verse tells us that we have a God who provides answers and opens doors for us. How could you add to this verse?

### ASK

What's one question you have for God?

---

---

---

### SEEK

What is something that you are looking for in your life?

---

---

---

### KNOCK

If you had one item or opportunity that you could open the door to, what would it be?

---

---

---

## Draw in the Blanks!

In today's Bible story, Jesus tells his disciples how they should pray. He gives them the Lord's Prayer, a prayer that you might have memorized. Look it up in Luke 11:2-4. Fill in the blanks below. Instead of writing the missing word, draw it!

Father, hallowed be your name.

Your \_\_\_\_\_ come.

Give us each day our daily \_\_\_\_\_ .

And forgive us our \_\_\_\_\_ ,

for we ourselves forgive everyone

to us.

And do not bring us to the

of \_\_\_\_\_ .

